

TALOS[®] SFD-1000 Series



APPLICATIONS

- Golf Carts
- Swimming Pools
- Water Craft; Boats, Kayaks, Jet Skis
- ATVs and Lawn Equipment
- Construction Sites & Equipment
- RVs and Campers
- Bicycles and Motorcycles/Scooters
- Beaches & Parks
- Sporting Events / Sporting Equipment
- Anytime outdoor activity

DESCRIPTION

The SFD-1000 series is a Storm Front Detector utilizing a proprietary design for Storm Safety Awareness of Lightning Strikes in the area.

Over 6000 deaths and injuries occur from lightning strikes every year. The SFD-1000 can alert you to an approaching or departing storm front and lightning by sensing the distance of lightning strikes that are occurring in the area via audible and visual alerts, making you aware of potentially life-threatening situations.

FEATURES

- Up to 25 Mile Range
- Compact Design
- 3 Different Colors Indicate the Distance (approaching or departing) of the Storm Front:
Green = 25 miles, Blue = 16 miles, Red = 6 miles
- Audible Beeps Indicate Distance of Storm
Green = 1Beep, Blue = 2 Beeps, Red = 3 Beeps
- Battery or Hard-wired DC Power Options

- Low Cost
- High Accuracy
- IP-65 Waterproof
- OEM Tested and Approved
- Low Power Consumption
- Standard & Quick Disconnect Mountings
- Auto Sleep Functionality (SFD-1000-G Version Only)

BATTERY & WIRED CONNECTIONS

Hard Wired Version:

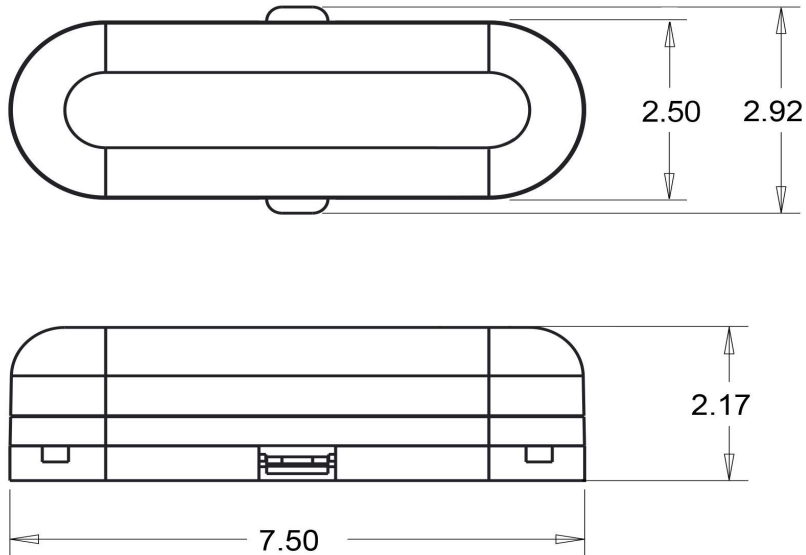
Power Source	Function	Color
9-30 VDC	Supply V + Com	Red Black

Battery Version:

4 AA batteries (Lithium Batteries Recommended)



DIMENSIONS



SPECIFICATIONS

Performance @ 25°C (77 °F)
Operating Temperatures
Reverse Polarity Protection

-20 to 80 ° C (-4 to 176 ° F)
Yes

Input
Supply Voltage: 9-30 VDC or
4 AA Batteries
(Lithium Recommended)

ORDERING

Series — Power Options — Version

1000 = Battery Powered
1100 = Direct DC Source

P = General Use
G = Rugged (for higher shock applications)

*Consult sales for custom OEM options

